

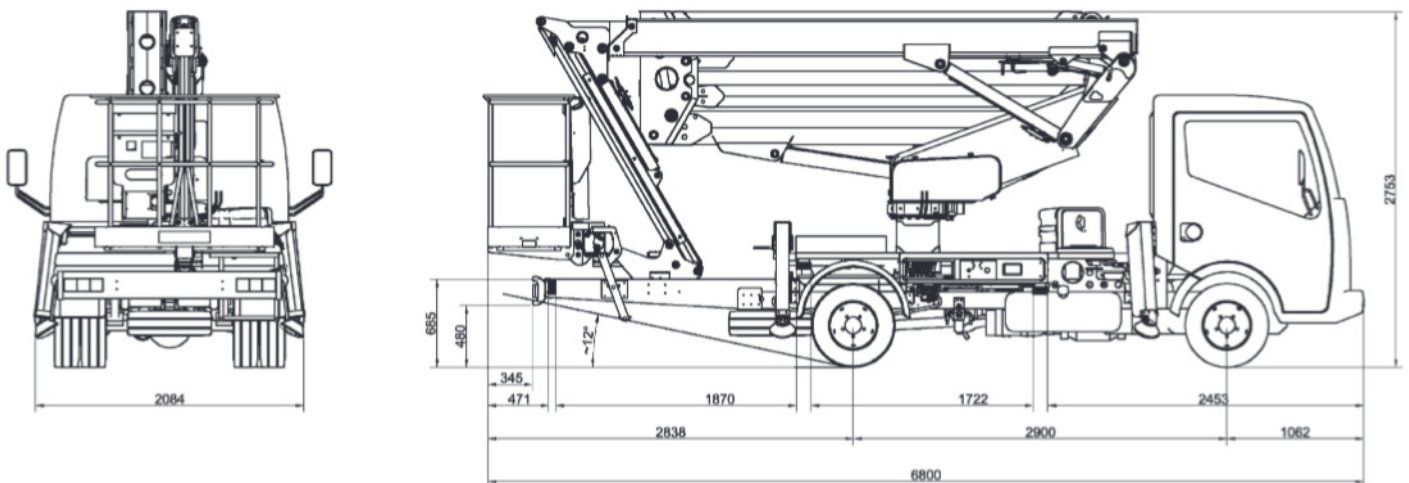
SPECIFICATION (PRELIMINARY)

CTEZED 21.3 JH

TECHNICAL DATA

- Double pantograph + telescopic boom with single extension + jib
- Sigma boom movement enabled by connecting rods
- $\pm 320^\circ$ turret rotation
- Proportional, simultaneous electrohydraulic controls from basket and ground
- Smooth proportional controls with acceleration and deceleration ramps
- Engine start and stop controls from basket and ground
- Anti-slip aluminium deck
- Basket in aluminium 1400x700x1100 mm
- $90^\circ + 90^\circ$ hydraulic basket rotation
- Automatic hydraulically actioned basket levelling
- 4 hydraulic outriggers with ground pressure sensors: front variable jacking outriggers and rear straight down stabilizers
- Variable working area managed by **H Stab System**
- **CAN BUS** electronic management system
- Grounded control station with wired console
- Load cell
- Diagnostic display on board
- Hydraulic system operated by vehicle's PTO
- Buzzer indicating PTO engaged
- Hour meter
- 230 V AC in the basket
- EN 280:2015 CE certified
- Standard boom colours blue (RAL 5017) and white (RAL 9003)

DIMENSIONS



CTE S.p.A.
Headquarter

7 Via Caproni - Rovereto (TN) IT, 38068
Ph. +39 0464 48.50.50 - Fax +39 0464 48.50.99
info@ctelift.com - www.ctelift.com

Factory 5 Loc. Terramatta - Rivoli Veronese (VR) IT, 37010

CTE UK Ltd Enderby Leicestershire - UK

SPECIFICATION (PRELIMINARY)

CTEZED 21.3 JH



20,6 m*



6,9 / 9,6 m*



250 kg



18,6 m

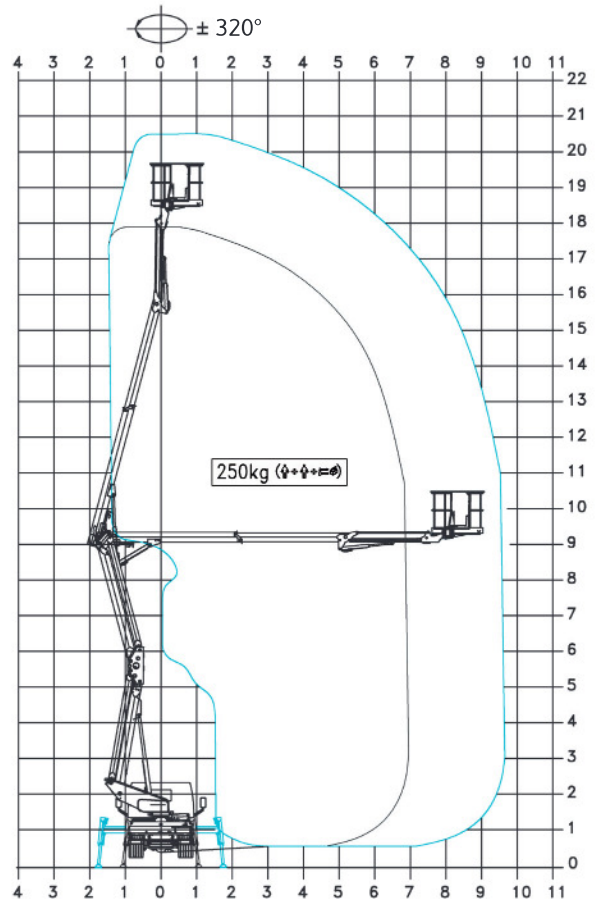


1400x700x1100 mm

GVW min

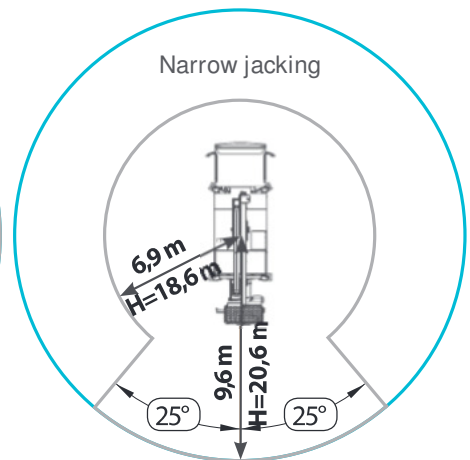
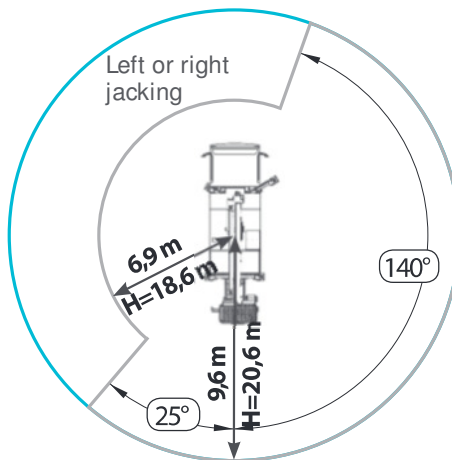
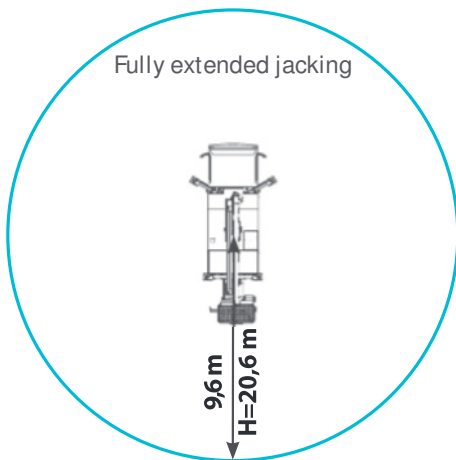
3,5 t

WORKING ENVELOPE



* outreach and height max values and repeatability can change within $\pm 3\%$ due to manufacturing variation and working condition.

OUTRIGGER FOOTPRINT



Product specifications are subject to change without notice or obligation. Technical features and drawings in this brochure are for illustrative purposes only. _ZED 21.3.JH - ed.06/17



CTE S.p.A.
Headquarter
 7 Via Caproni - Rovereto (TN) IT, 38068
 Ph. +39 0464 48.50.50 - Fax +39 0464 48.50.99
 info@ctelift.com - www.ctelift.com
Factory 5 Loc. Terramatta - Rivoli Veronese (VR) IT, 37010
CTE UK Ltd Enderby Leicestershire - UK

